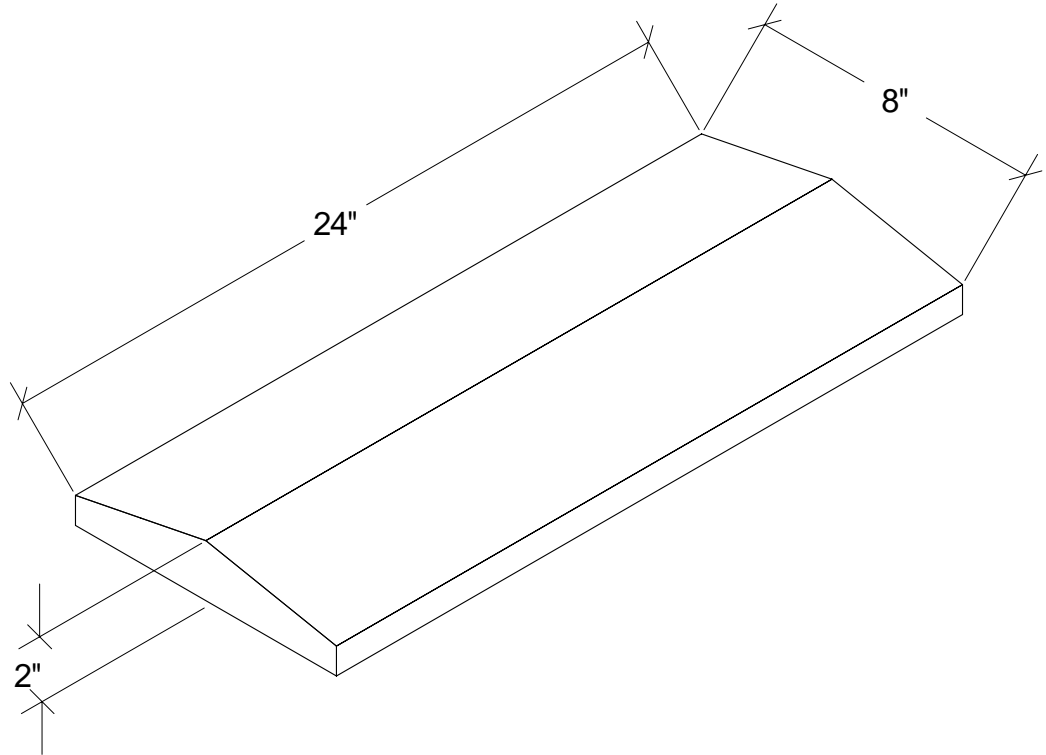


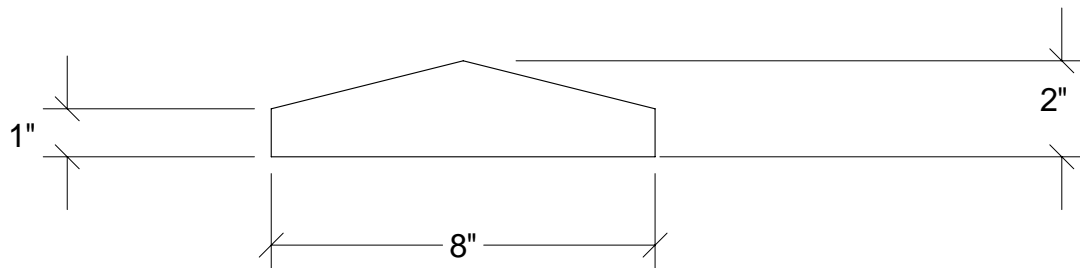
# KAY-TEE PRODUCTS

POOL COPING STONES and ARCHITECTURAL PRE-CAST STONES



## Product Series Peaked Wall Cap Straight

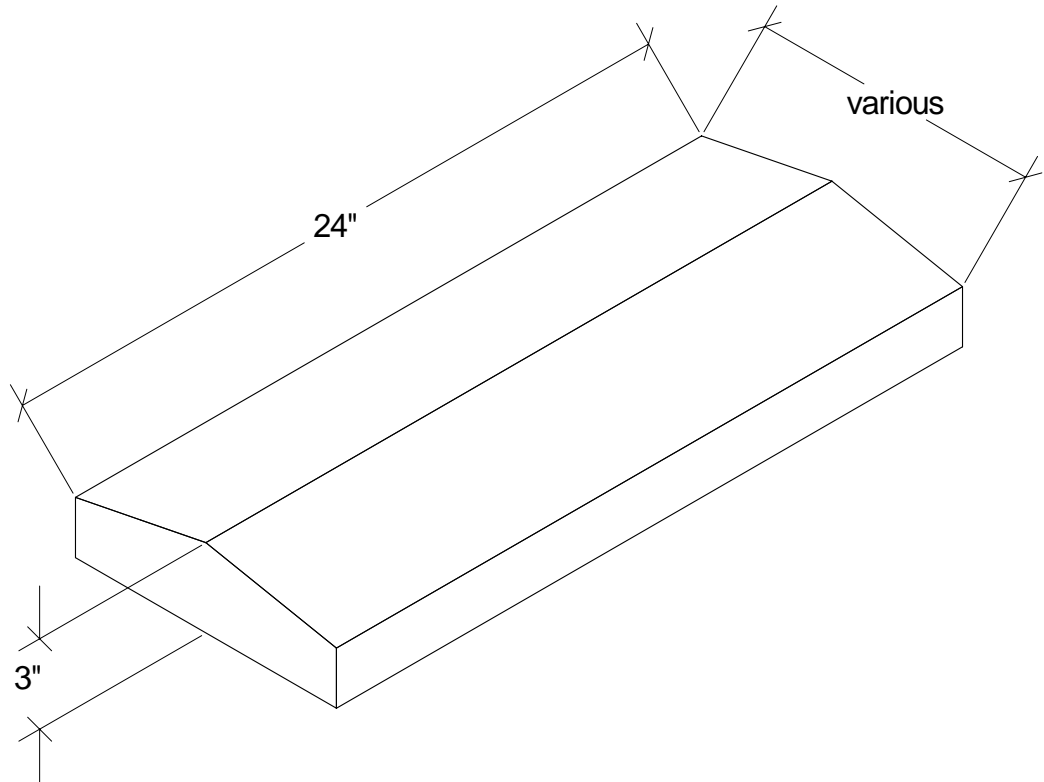
descriptions	product series	product #	width "	height "	length "	qty molds
Peaked wall cap	PWC-2	PWC-2-8	8	2	24	1



Drawing PWC1

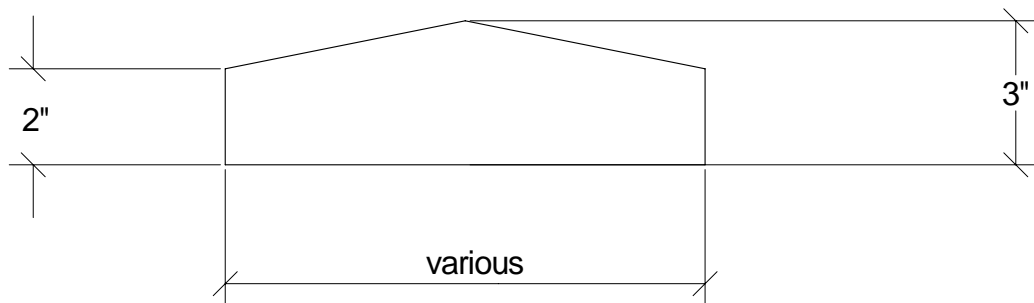
# KAY-TEE PRODUCTS

POOL COPING STONES and ARCHITECTURAL PRE-CAST STONES



## Product Series Peaked Wall Cap Straight

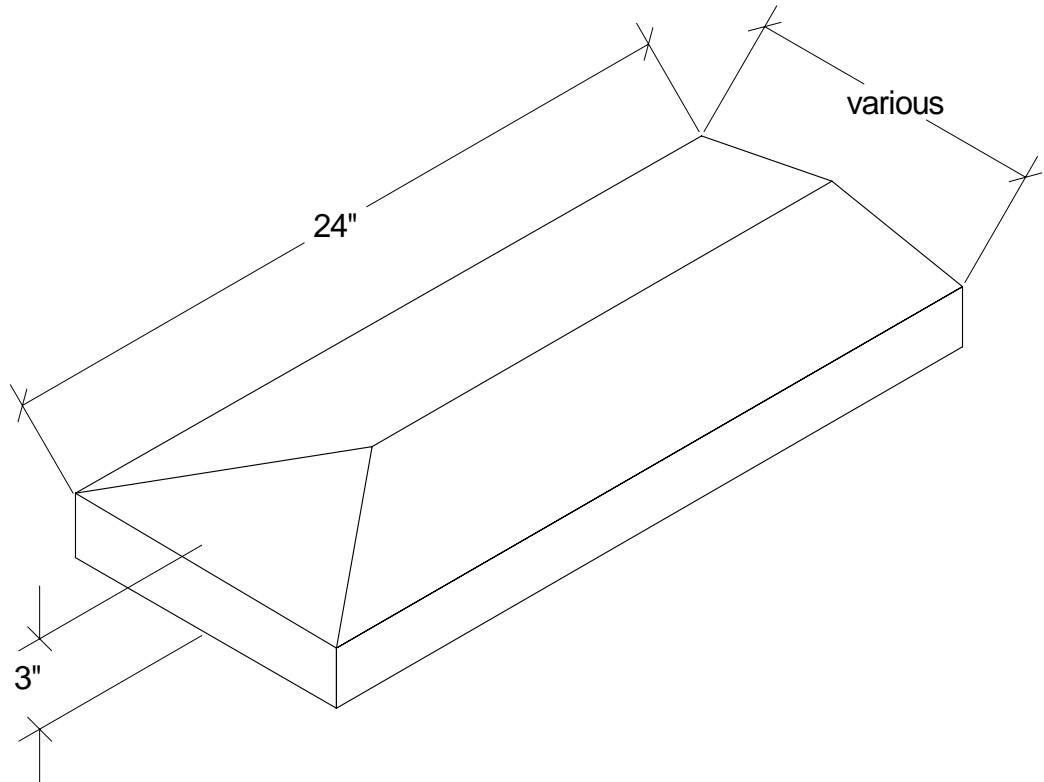
descriptions	product series	product #	width "	height "	length "	qty molds
Peaked wall cap	PWC-3	PWC-3-8	8	3	24	20
Peaked wall cap	PWC-3	PWC-3-10	10	3	24	34
Peaked wall cap	PWC-3	PWC-3-12	12	3	24	15
Peaked wall cap	PWC-3	PWC-3-14	14	3	24	4



Drawing PWC2

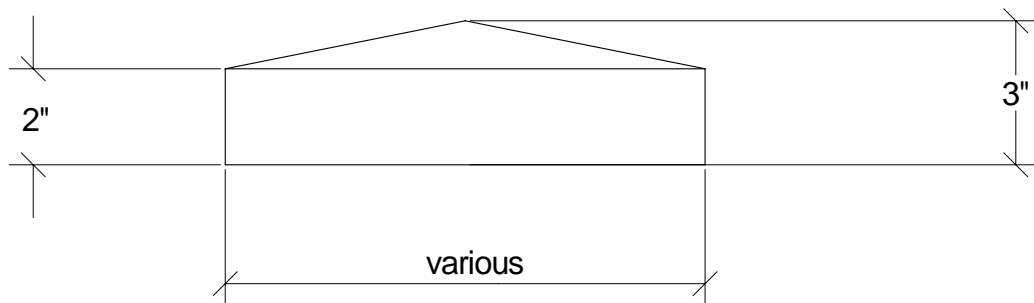
# KAY-TEE PRODUCTS

POOL COPING STONES and ARCHITECTURAL PRE-CAST STONES



## Product Series Peaked Wall Cap Straight End Cap

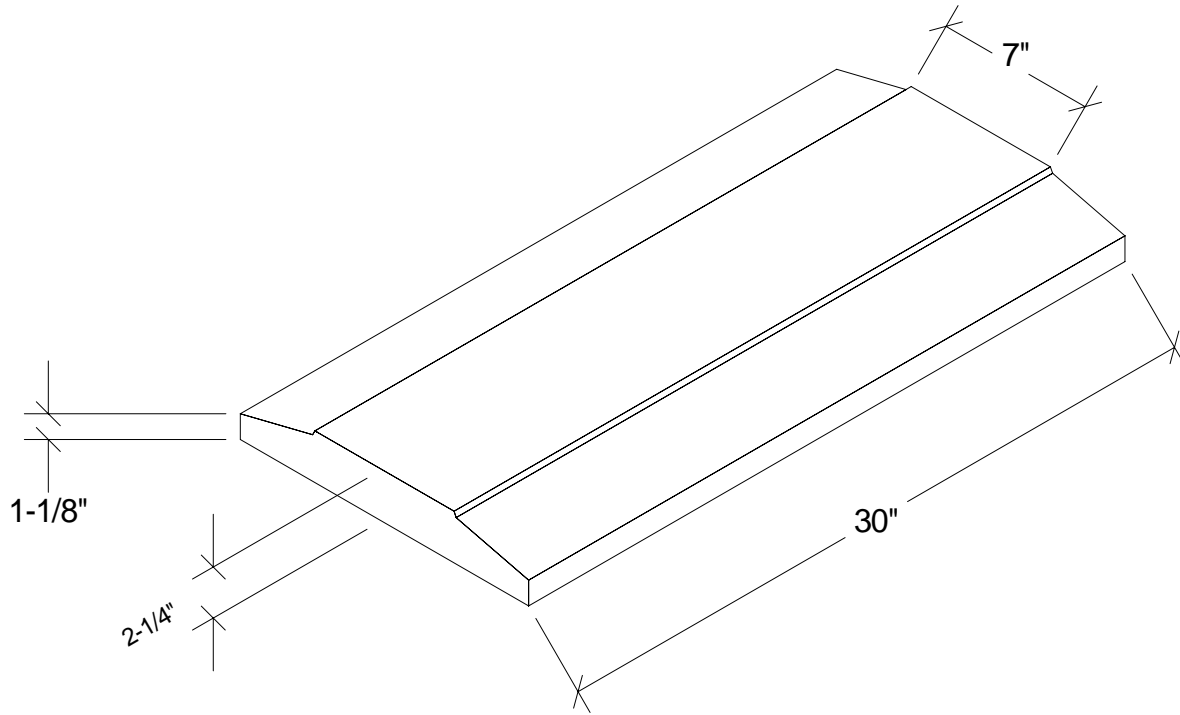
descriptions	product series	product #	width "	height "	length "	qty molds
Peaked wall cap	PWC-3	PWC-3-8-EC	8	3	24	20
Peaked wall cap	PWC-3	PWC-3-10-EC	10	3	24	34
Peaked wall cap	PWC-3	PWC-3-12-EC	12	3	24	15
Peaked wall cap	PWC-3	PWC-3-14-EC	14	3	24	4



Drawing PWC3

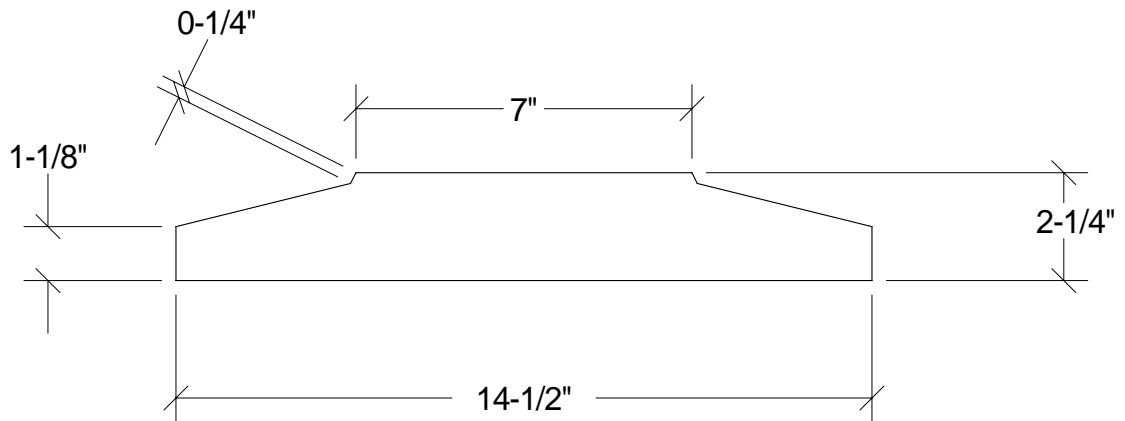
# KAY-TEE PRODUCTS

POOL COPING STONES and ARCHITECTURAL PRE-CAST STONES



## Product Series Crowned Wall Cap Straight

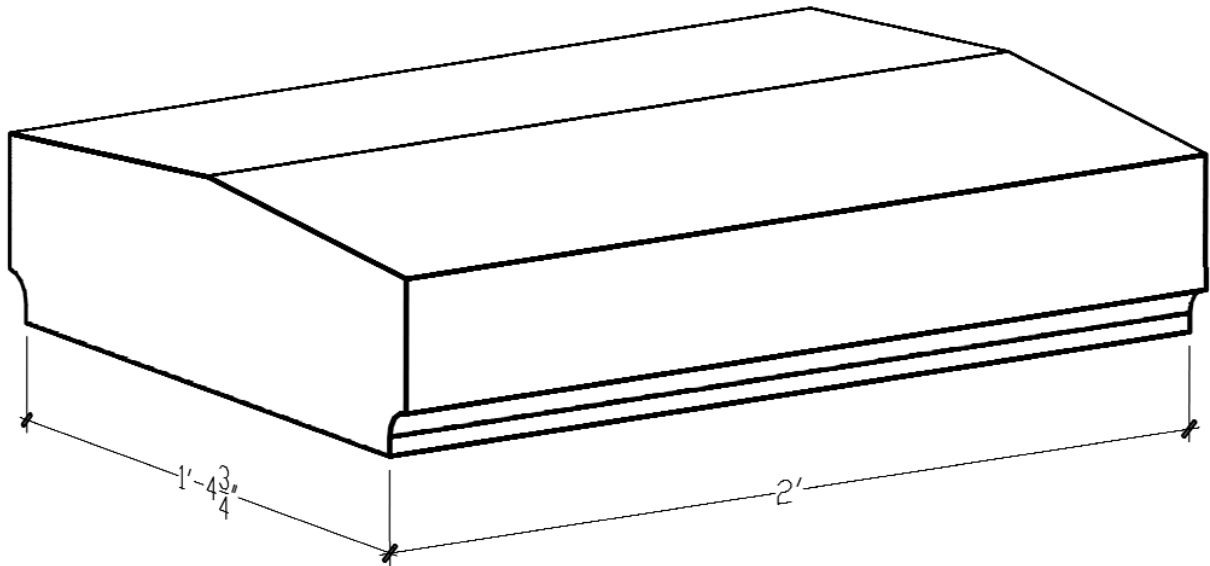
descriptions	product series	product #	width "	height "	length "	qty molds
Crowned wall cap	CWC-1	CWC-14.5	14.5	2.25	30	4



Drawing PWC4

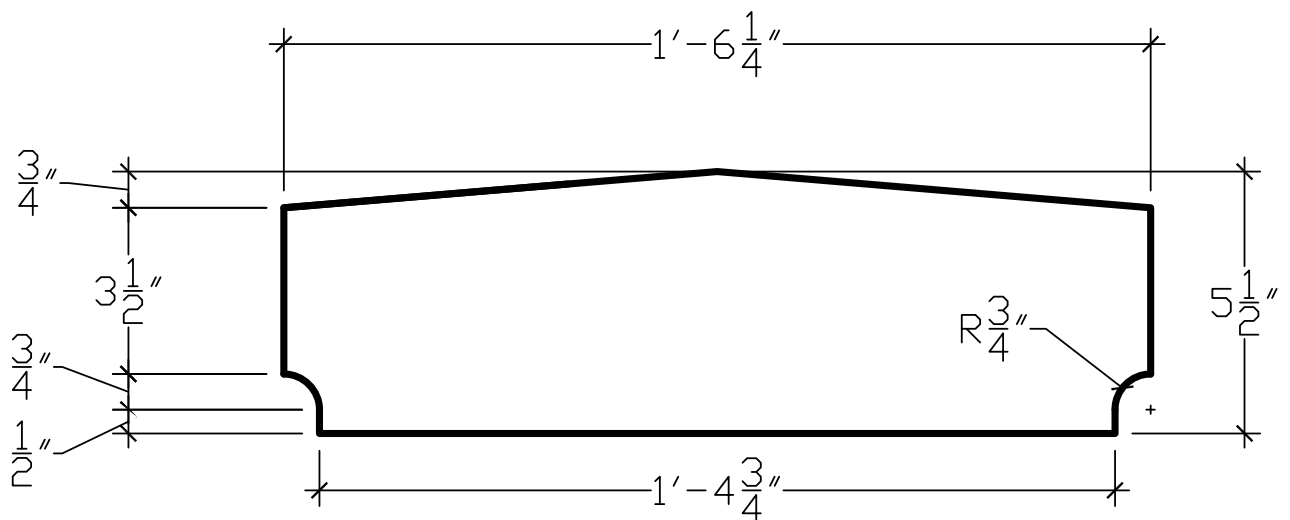
# KAY-TEE PRODUCTS

POOL COPING STONES and ARCHITECTURAL PRE-CAST STONES



## Product Series PWC Peaked Wall Cap

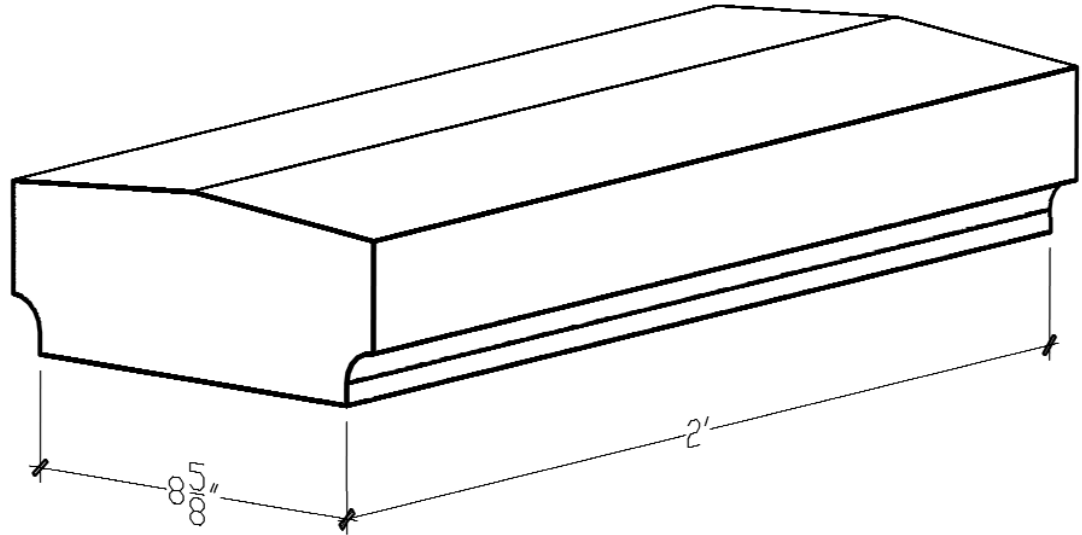
descriptions	product series	product #	width	height	length
Peaked wall cap	PWC	PWC 5	18.25	5.5	24



Drawing PWC 5

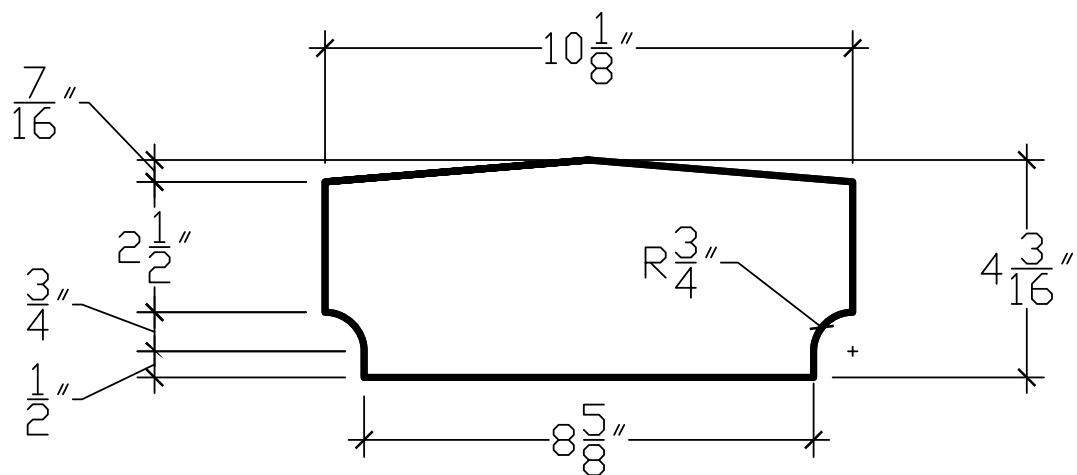
# KAY-TEE PRODUCTS

POOL COPING STONES and ARCHITECTURAL PRE-CAST STONES



## Product Series PWC Peaked Wall Cap

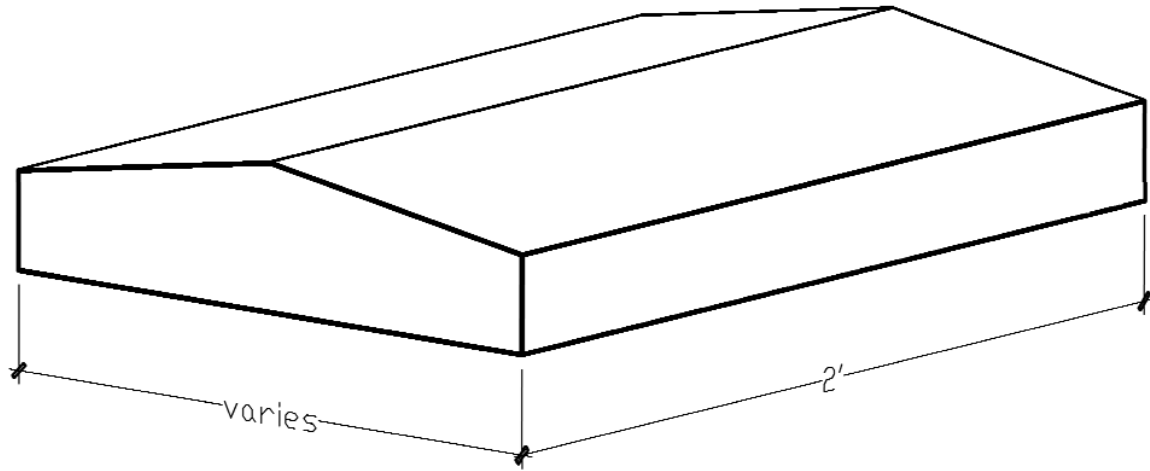
descriptions	product series	product #	width	height	length
Peaked wall cap	PWC	PWC 6	10.125	4.1875	24



Drawing PWC 6

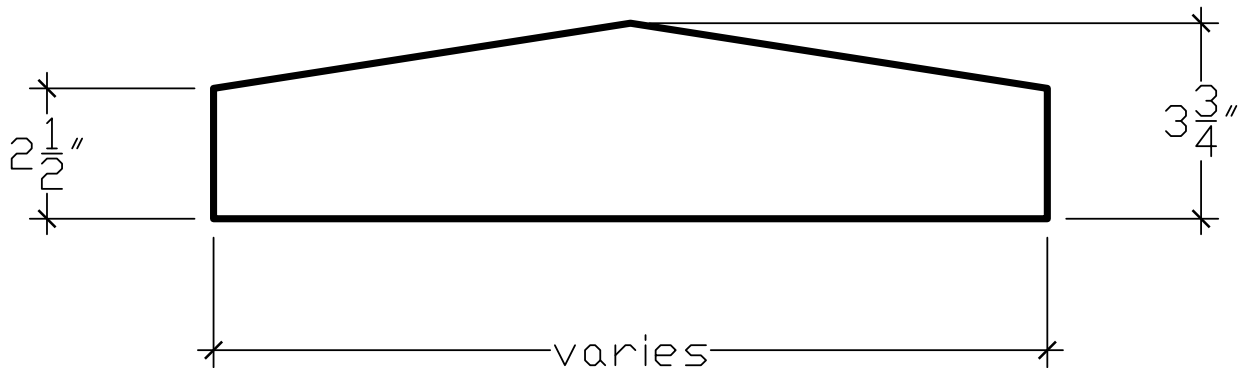
# KAY-TEE PRODUCTS

POOL COPING STONES and ARCHITECTURAL PRE-CAST STONES



## Product Series PWC Peaked Wall Cap

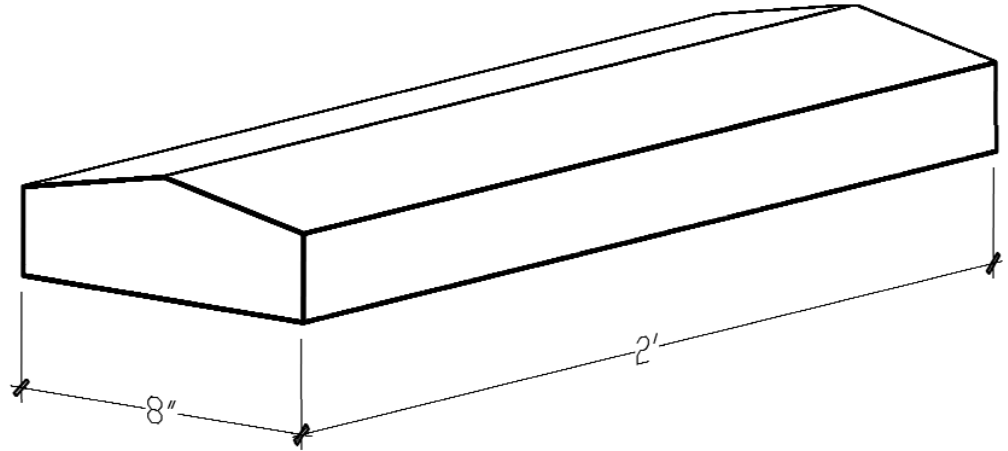
descriptions	product series	product #	width	height	length
Peaked wall cap	PWC	PWC 16	16	3.75	24
Peaked wall cap	PWC	PWC 20	20	3.75	24



Drawing PWC 7

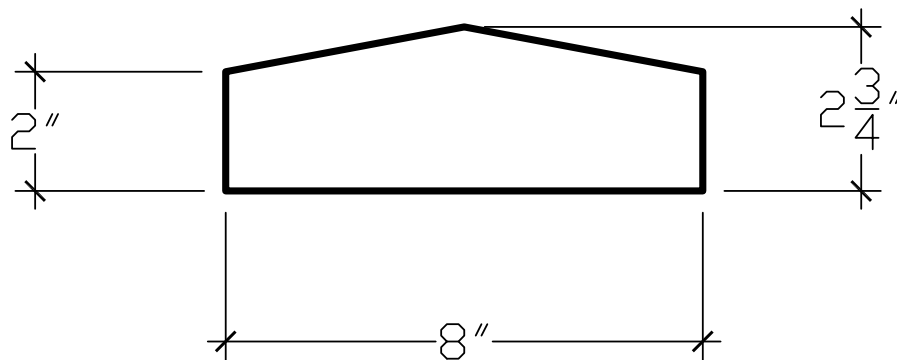
# KAY-TEE PRODUCTS

POOL COPING STONES and ARCHITECTURAL PRE-CAST STONES



## Product Series PWC Peaked Wall Cap

descriptions	product series	product #	width	height	length
Peaked wall cap	PWC	PWC 8	8	2.75	24

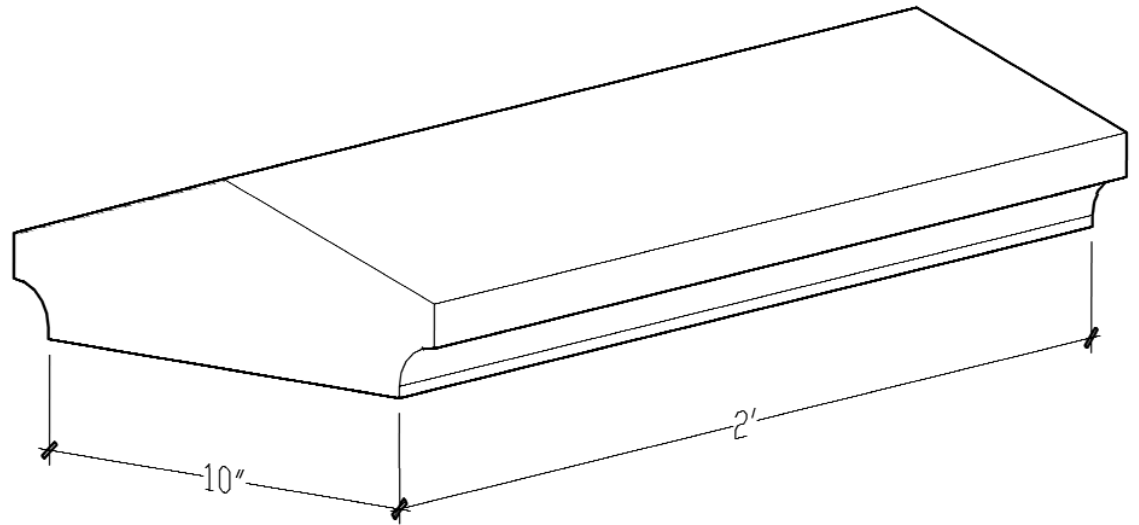


Drawing PWC 8



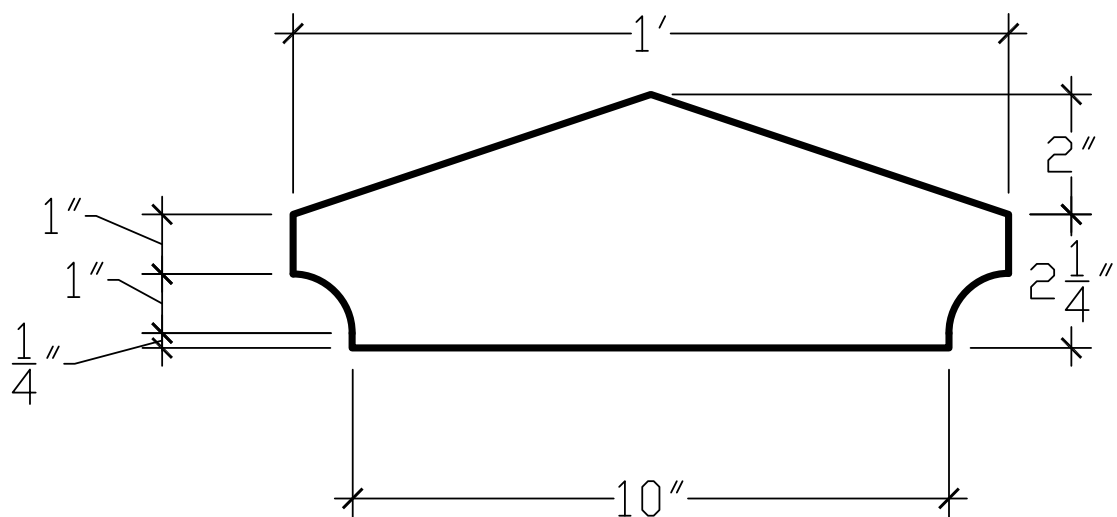
# KAY-TEE PRODUCTS

POOL COPING STONES and ARCHITECTURAL PRE-CAST STONES



## Product Series PWC Peaked Wall Cap

descriptions	product series	product #	width	height	length
Peaked wall cap	PWC	PWC 10-4.25	10	4.25	24



Drawing PWC 9